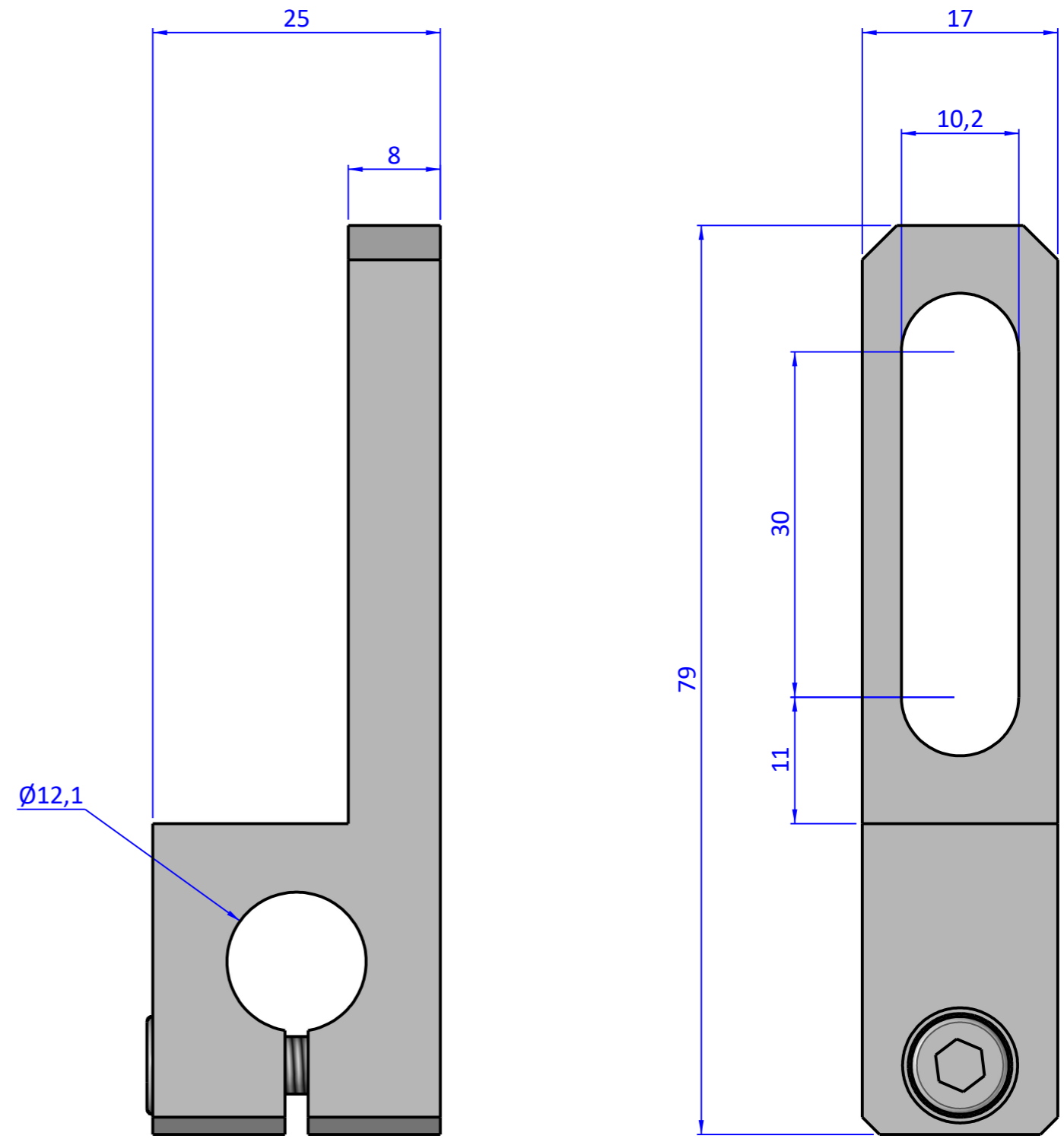
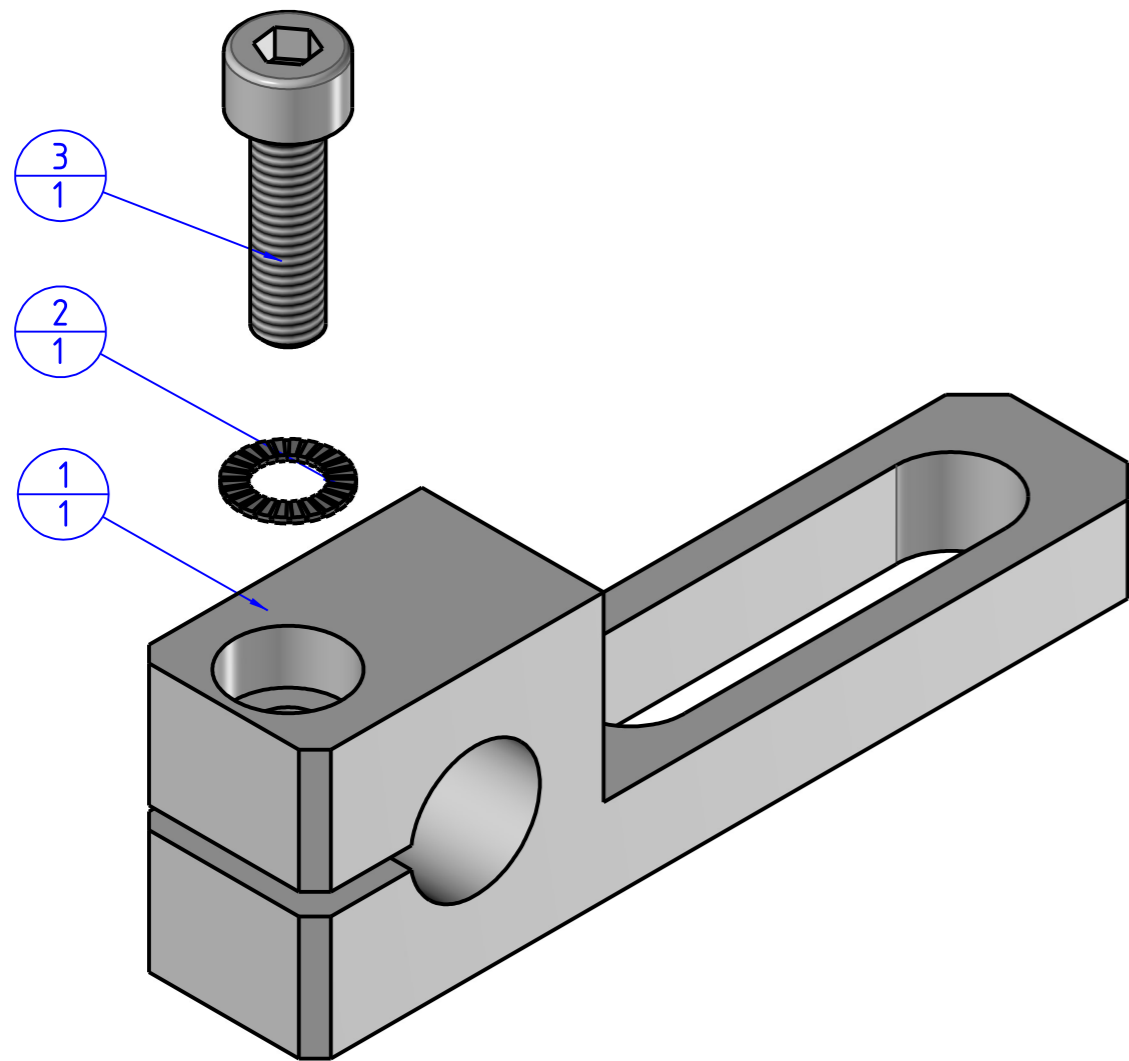

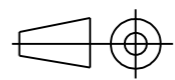


THE PROPERTY OF THE DRAWING IS ESTABLISHED BY LAW. IT IS FORBIDDEN TO PRODUCE OR SHOW IT TO THIRD PART WITHOUT A WRITTEN AGREEMENT.

Item	Name	Q.ty
1	04.08.004	1
2	R.5.SCH	1
3	V.TCE5x18	1



Format A3  
UNI 936-76

 FPS FPSERVICES AUTOMATION				DESIGNED FROM FPS Automation	REVIEW A
GENERAL TOLERANCE UNI - ISO 2768 CLASSE f		DESCRIPTION CA.04.08.004		DATE 02/09/2022	WEIGHT 0,038kg
				CODE CA.04.08.004	